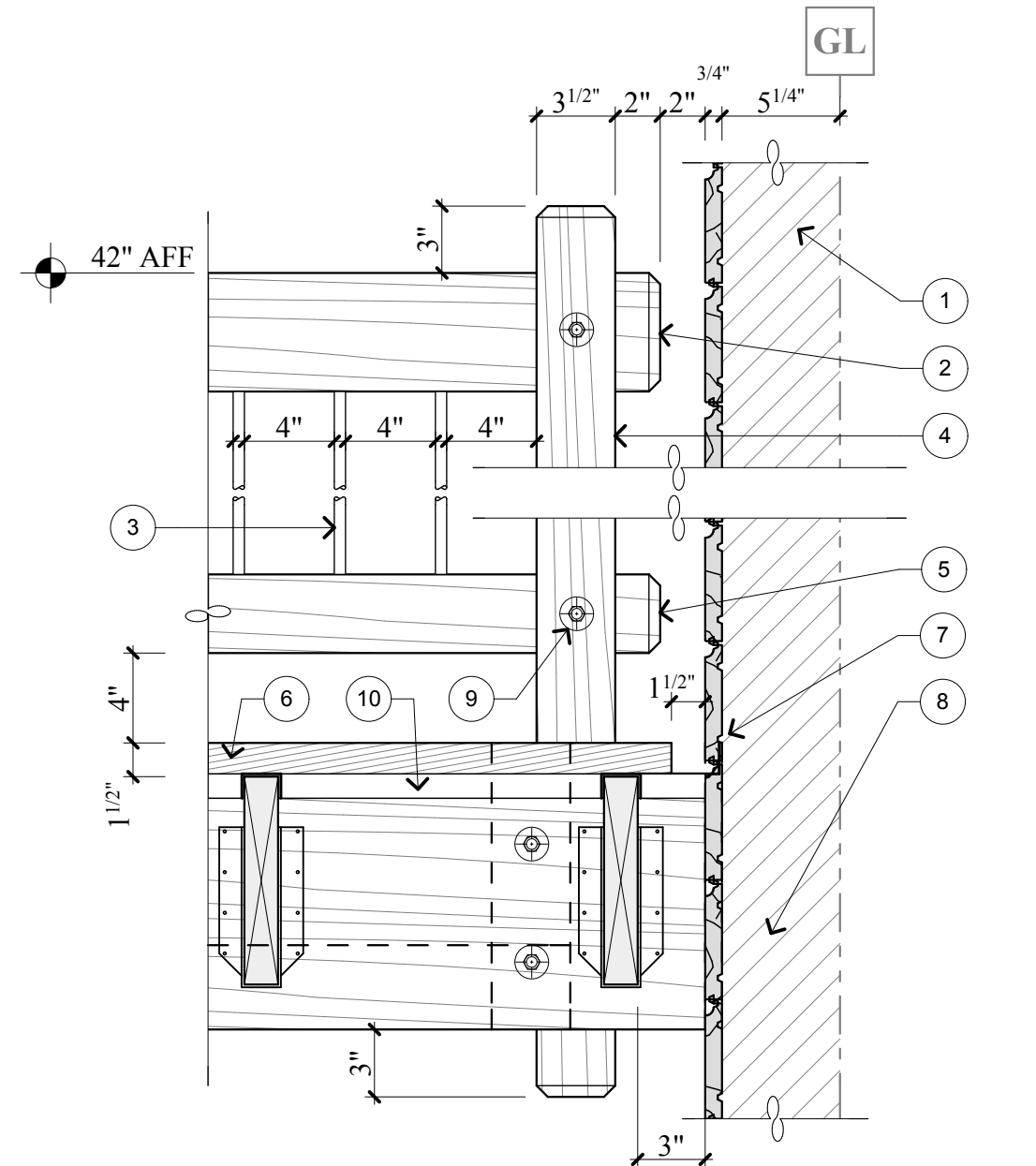


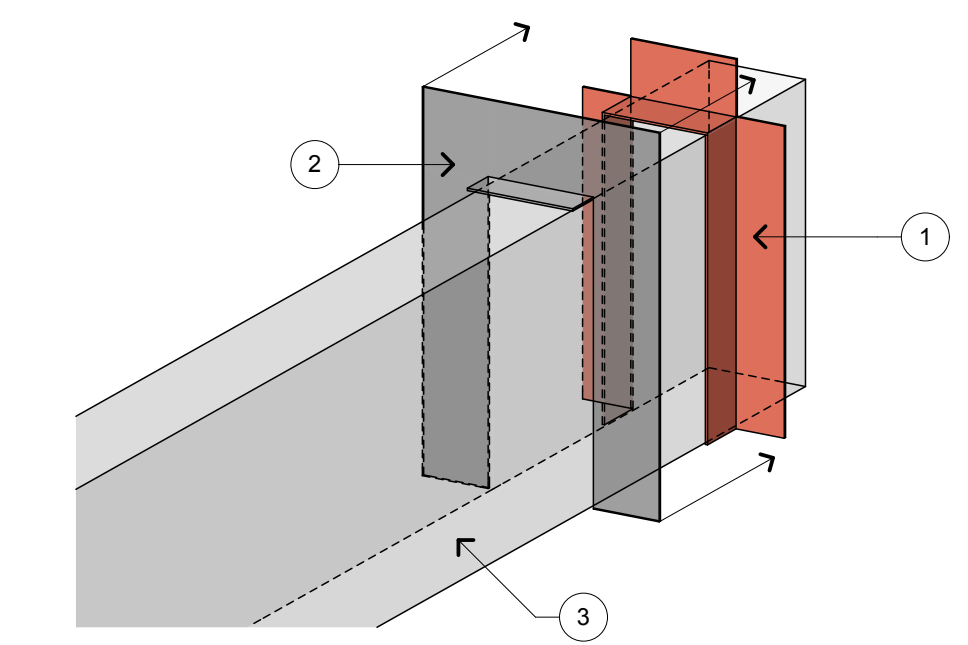
- Notes:**
1. (E) 5 1/8" x 12" GLB
 2. SSD for (N) 4x Ledger
 3. SSD for (N) 6x Grab Beams
 4. Opposing HD5A

17 Suspended Grab BEAMS
Scale 1 1/2" = 1' - 0"



- Notes:**
1. (E) Party Wall
 2. 4x6 Rwd. Handrail, Knock off all Crisp Edges
 3. 1/2" Grade L Pipe @ 4 1/2" O.C.
 4. 4x4 Post
 5. 4x4 Bottom Rail, Knock off all Crisp Edges
 6. 2x6 Decking w/ EB-TY Hidden Deck Fastener or Eq.
 7. Turn Up Cap Flashing Under Siding
 8. SSD for Beam Size
 9. 5/8" Thru-Bolt w/Mall. Washer
 10. 4x Joists, SSD for Size and Spacing w/ Simpson HUC or CJT Series Hanger

19 Typ. End Post
Scale 1 1/2" = 1' - 0"



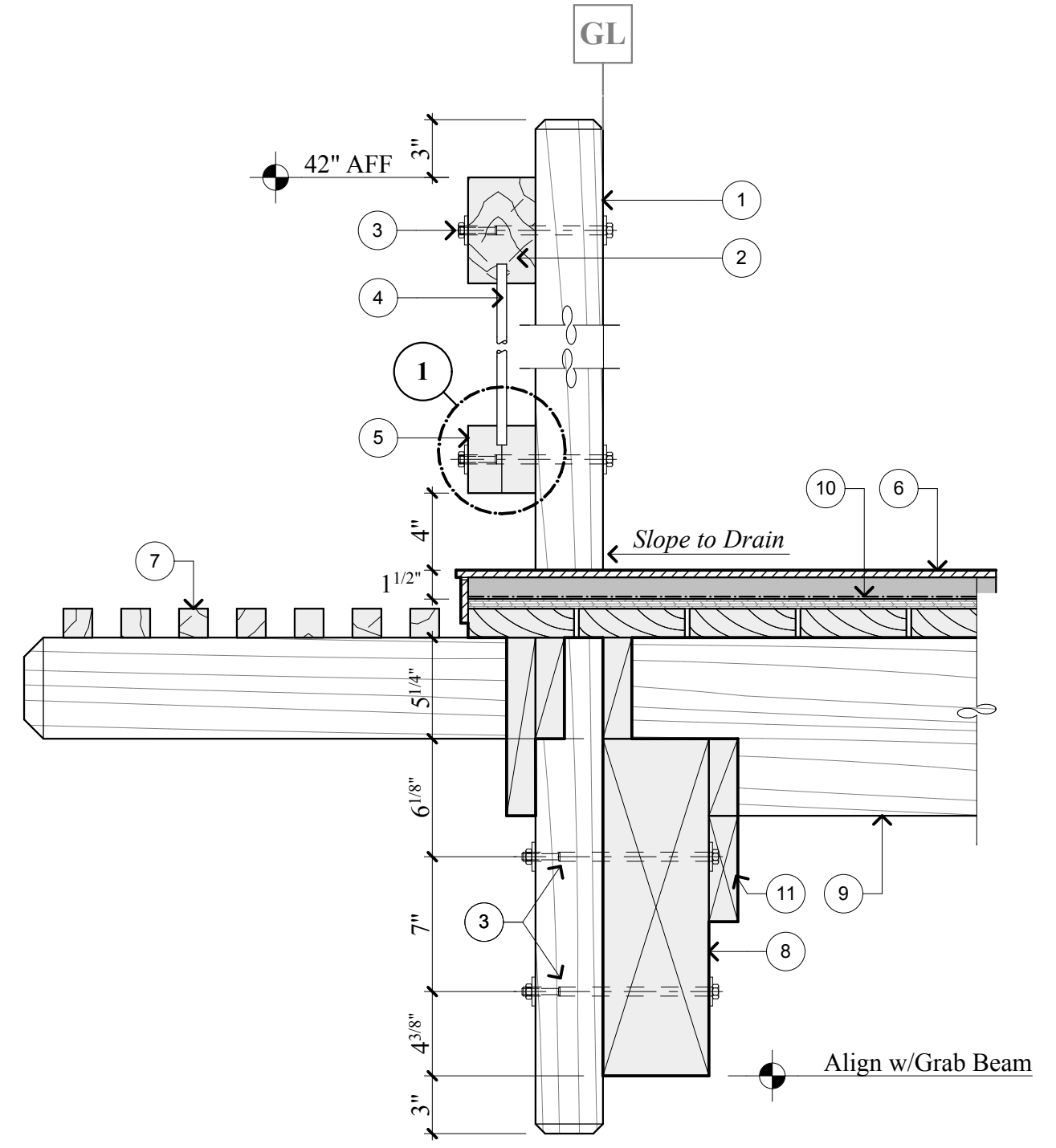
- Notes:**
1. Cu. Flashing around Beam in Mastic
 2. Cu. Counter-Flashing
 3. Typ. Beam, SSD for Size

16 Beam to Wall Flashing
Scale 1 1/2" = 1' - 0"



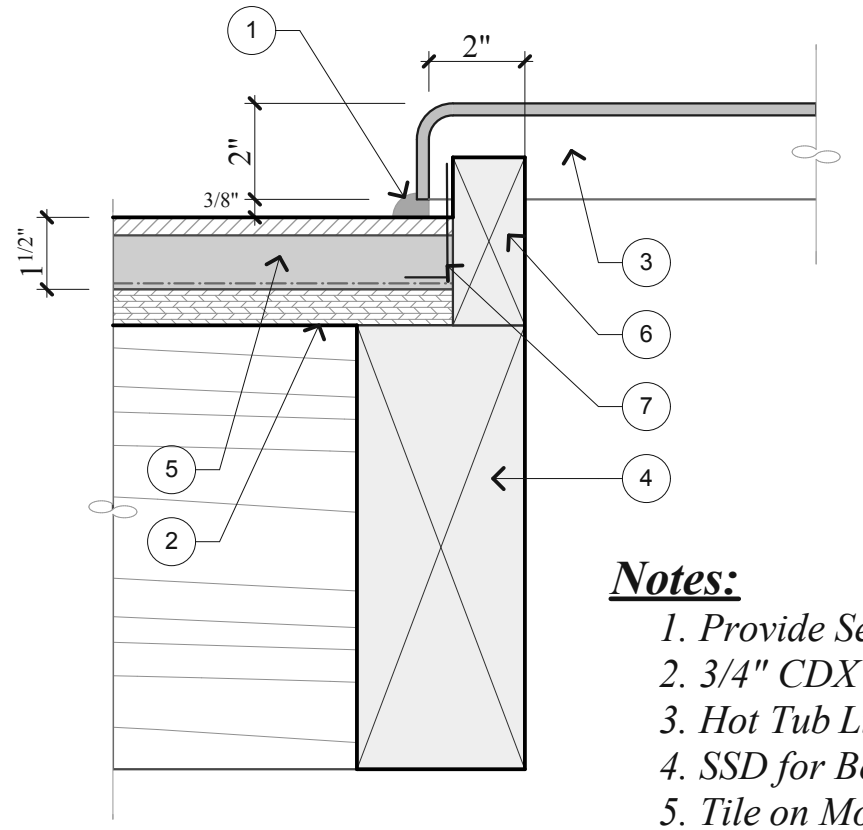
- Notes:**
1. 2x PTDF Joists, SSD for Size and Spacing
 2. 2x PTDF Ledger.
 3. Copper Flashing in Mastic
 4. 2x6 Cedarr Decking
 5. SSD for Beam

16 Tile Deck @ Wood Deck
Scale 1 1/2" = 1' - 0"



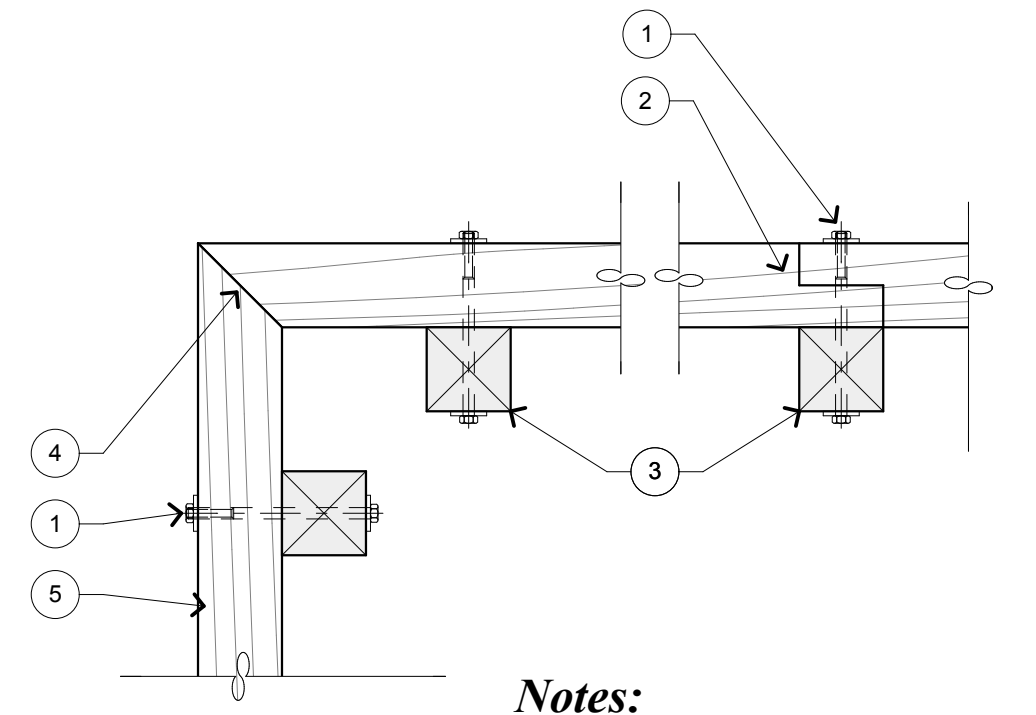
- Notes:**
1. 4x4 Post
 2. 4x6 Rwd. Handrail, Knock off all Crisp Edges
 3. 5/8" Thru-Bolt w/Mall. Washer
 4. 1/2" Grade L Pipe @ 4 1/2" O.C.
 5. 4x4 Bottom Rail, Knock off all Crisp Edges
 6. Owner Supplied Stone Finish Tile, Provide Anti-Fracture Membrane
 7. 2x2 Cedar Trellis @ 3" O.C.
 8. SSD for Beam
 9. 4x PTDF Joists SSD for Size and Spacing
 10. Water Proofing by Contractor
 11. 2x6 PTDF Ledger w/ 2 Rows SDS 25 312 @ 8" O.C. Staggered

13 Railing Section: Cantilever Trellis
Scale 1 1/2" = 1' - 0"



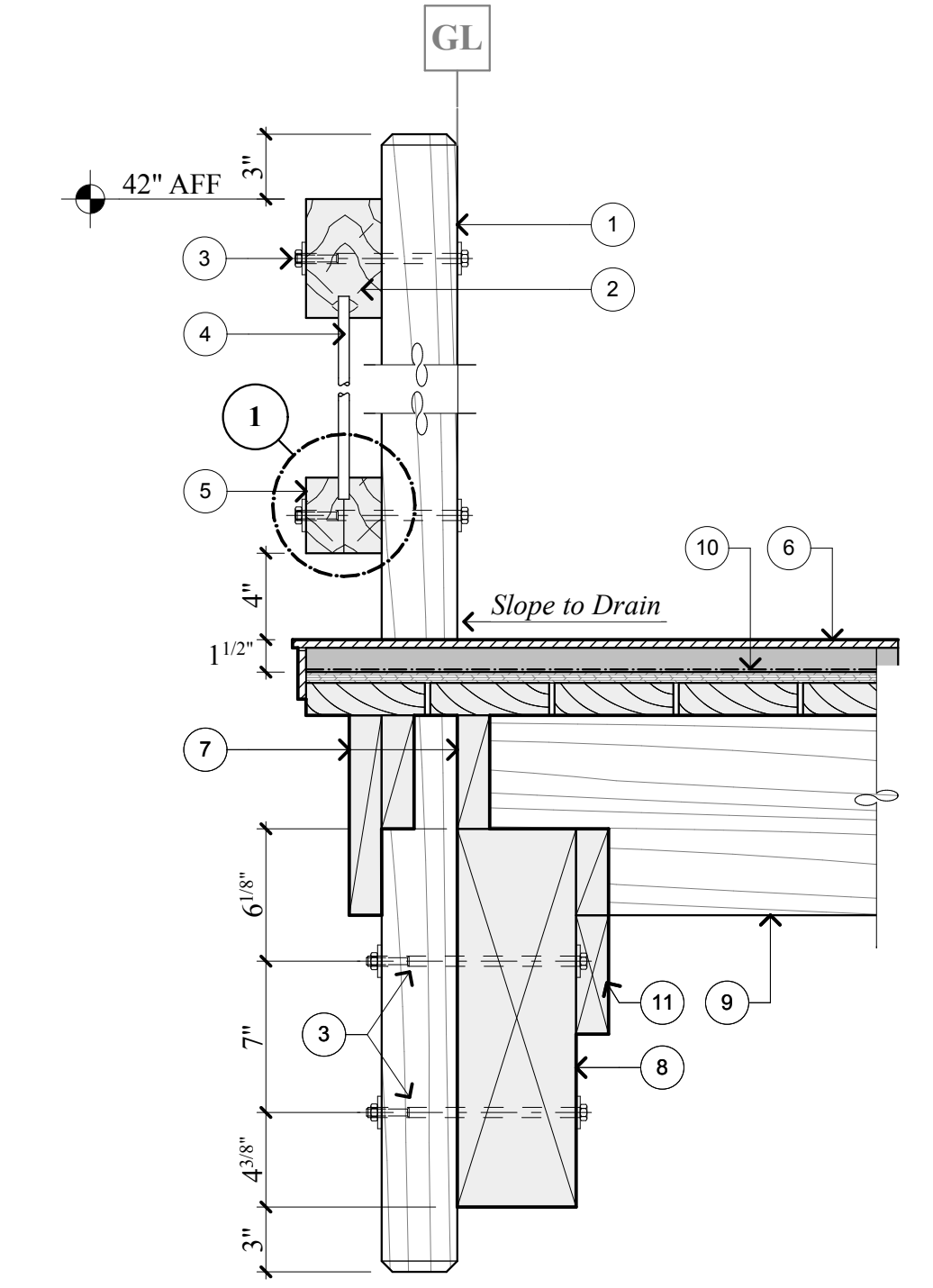
- Notes:**
1. Provide Sealant.
 2. 3/4" CDX Plywood
 3. Hot Tub Lip
 4. SSD for Beam
 5. Tile on Mortar Bed 1 1/2" Total Thickness
 6. 2x PTDF Curb
 7. Cu. Counter Flashing

12 Hot Tub @ Deck
Scale 3" = 1' - 0"



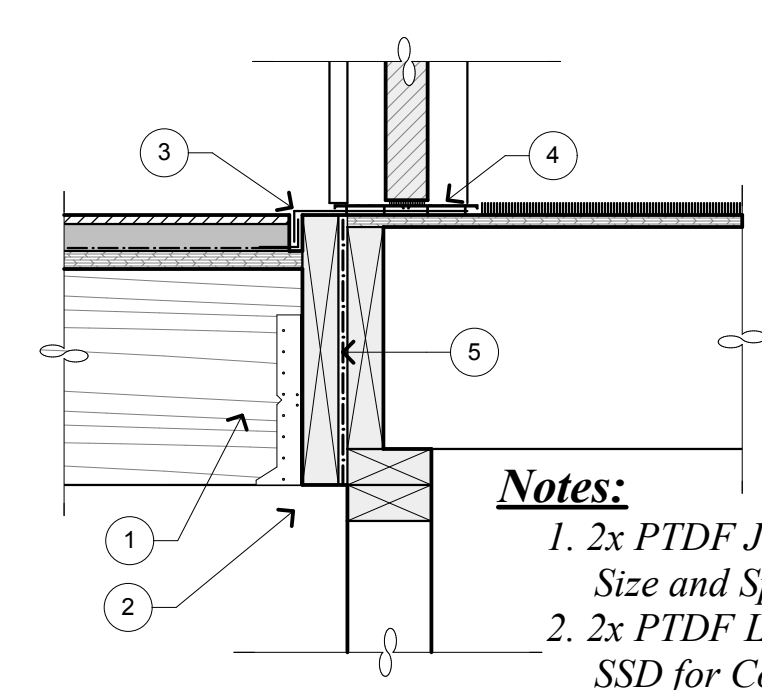
- Notes:**
1. 5/8" Thru-Bolt w/Mall. Washer
 2. Half Lap Joint where Req.
 3. 4x4 Post
 4. Miter Corner

5 Typ. Railing Joints
Scale 1 1/2" = 1' - 0"



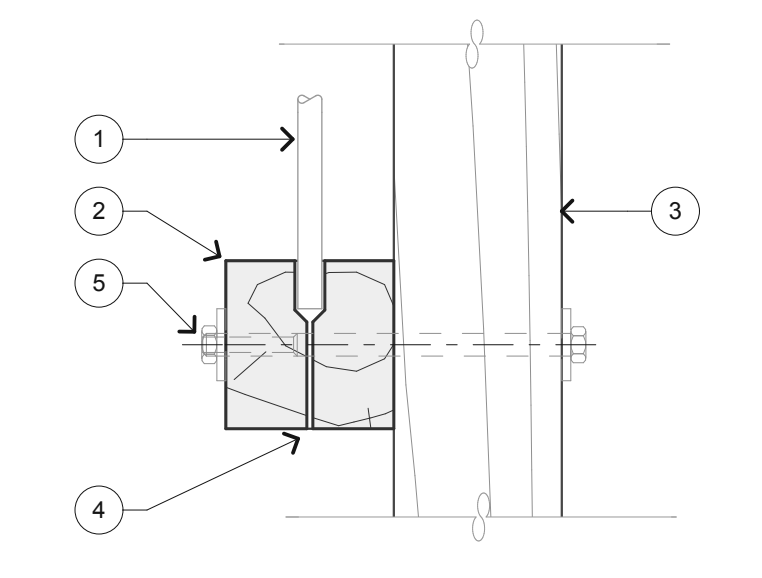
- Notes:**
1. 4x4 Post
 2. 4x6 Rwd. Handrail, Knock off all Crisp Edges
 3. 5/8" Thru-Bolt w/Mall. Washer
 4. 1/2" Grade L Pipe @ 4 1/2" O.C.
 5. 4x4 Bottom Rail, Knock off all Crisp Edges
 6. Owner Supplied Stone Finish Tile
 7. 2x8 Cedar Blocking
 8. SSD for Beam
 9. 4x PTDF Joists, SSD for Size and Spacing
 10. Water Proofing by Contractor
 11. 2x6 PTDF Ledger w/ 2 Rows SDS 25 312 @ 8" O.C. Staggered

7 Railing Section: Tile Edge
Scale 1 1/2" = 1' - 0"



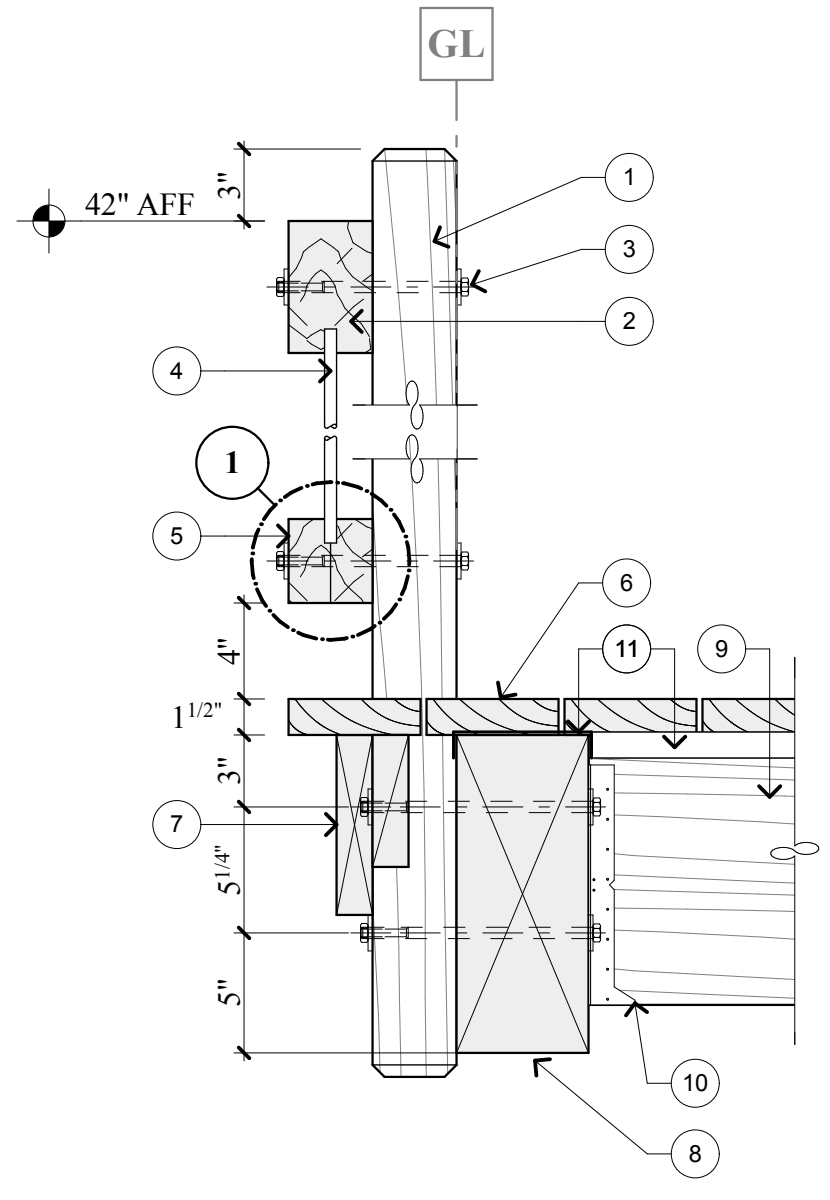
- Notes:**
1. 2x PTDF Joists, SSD for Size and Spacing
 2. 2x PTDF Ledger.
 3. Tuck (N) Ledger Under (E) Copper Flashing, Provide Counter Flashing in Mastic
 4. Threshold
 5. Bituthane Exposed Wood surface behind ledger

8 Ledger / Threshold
Scale 1 1/2" = 1' - 0"



- Notes:**
1. 1/2" Grade L Pipe @ 4 1/2" O.C.
 2. 4x4 Bottom Rail, Knock off all Crisp Edges
 3. 4x4 Post
 4. Provide 1/8" Weep Hole @ Ea. Spindle
 5. 5/8" Thru-Bolt w/Mall. Washer

1 Bottom Rail Weep Hole
Scale 3" = 1' - 0"



- Notes:**
1. 4x4 Post
 2. 4x6 Rwd. Handrail, Knock off all Crisp Edges
 3. 5/8" Thru-Bolt w/Mall. Washer
 4. 1/2" Grade L Pipe @ 4 1/2" O.C.
 5. 4x4 Bottom Rail, Knock off all Crisp Edges
 6. 2x6 Decking w/ EB-TY Hidden Deck Fastener or Eq.
 7. Rim Facia
 8. SSD for Beam Size
 9. Deck Joists, SSD for Size and Spacing
 10. Simpson HUC or CJT Series Hanger
 11. Provide Cap Flashing @ Top of Joists & Beam

3 Railing Section: Wood Deck
Scale 1 1/2" = 1' - 0"

APN
419-321-101

Project Title
Ventana Inn & Spa
Cottage House Deck
48123 Highway One
Big Sur, CA 93920

Sheet Title
Deck Details

THIS DOCUMENT IS AN INSTRUMENT OF PROFESSIONAL SERVICES AND IS THE PROPERTY OF RAY PARKS & ASSOCIATES. THIS IS NOT TO BE USED IN WHOLE OR IN PART FOR ANY OTHER CONSTRUCTION PROJECT WITHOUT THE WRITTEN PERMISSION OF RAY PARKS, ARCHITECT

Job Number: 0613
Date: 5/12/2008
Scale: See Detail
Drawn By: DJA